

BENCHPROTM
...Rock Solid

NEW PRODUCT

Toll Free
(888) 700-9888
www.benchdepot.com

INDUSTRIAL GRADE STAINLESS STEEL CLEANROOM PASS-THROUGH CABINET

- 16 ga. 304 Stainless Steel #4 Brushed Finish.
- Wall Mounting Brackets Included.
- Double-Wall Industrial Construction.
- Easy to Wipe Down and Clean.
- Interlocking Doors.
- All 304 Stainless Hardware.
- Clear Tempered Safety Glass Viewing Windows.
- PVC Closed Cell Foam Gasket.
- Stich Seam Welding.
- Allows Contamination-Free Transfer of Materials in and Out of the Cleanroom.
- 12", 14", 18", 24" and Custom Sizes.
- 25 Year Unconditional Warranty.

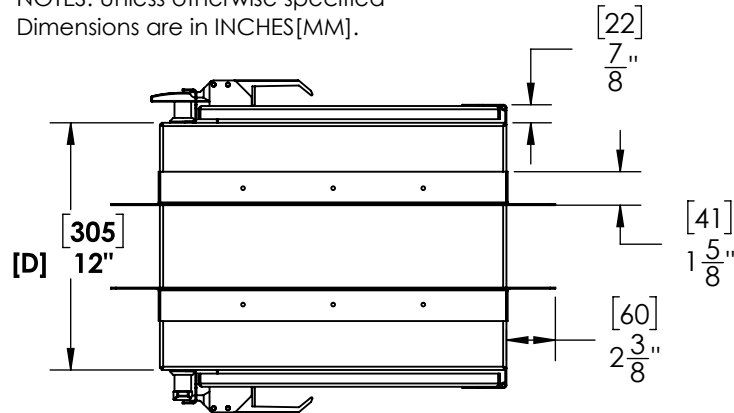


BenchPro™ pass-throughs, designed without crevices, are suitable for cleanroom & pharmaceutical applications requiring controlled air spaces and moderate sterilization protocols.

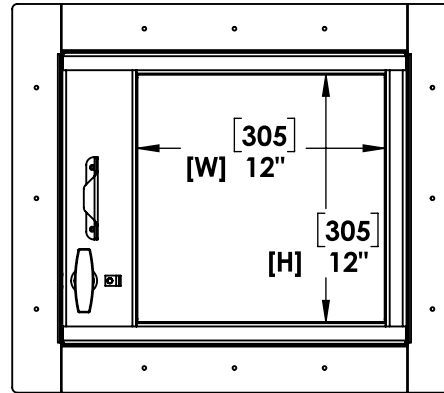
12" CABINET SPECIFICATIONS

REV.	DATE
A	1/14/2021

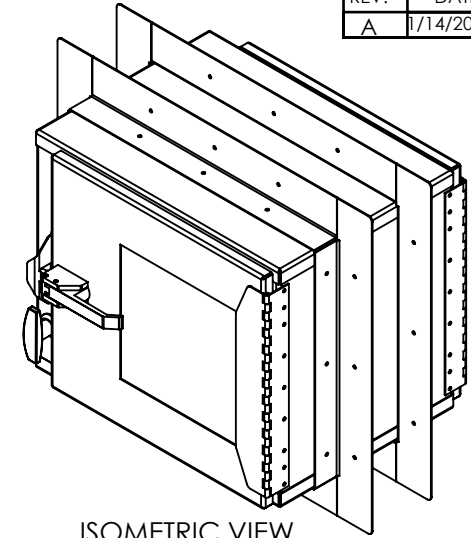
NOTES: Unless otherwise specified
Dimensions are in INCHES[MM].



TOP VIEW



FRONT VIEW
WITHOUT DOORS



ISOMETRIC VIEW

FEATURES:

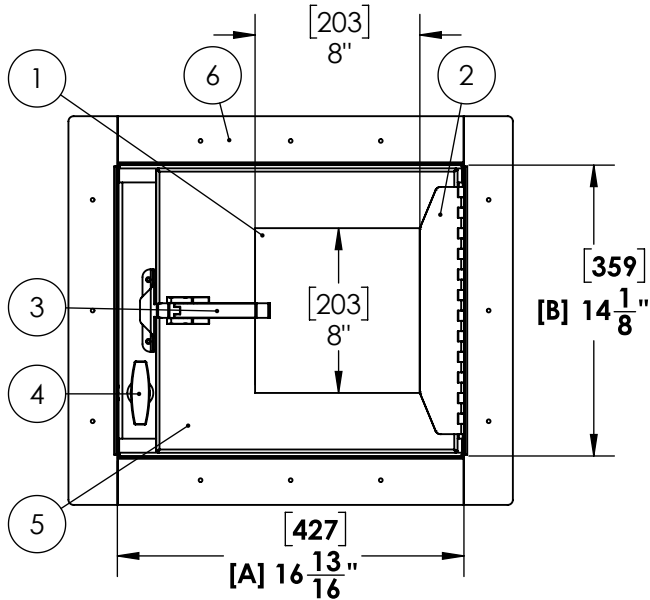
1. Clear Tempered Safety Glass
2. Stainless Steel Hinges
3. Stainless Steel Compression latch
4. Stainless Steel T-Handles Interlock
5. Stainless Steel Door Frame
6. Stainless Steel Mounting Frame Set (8 pcs.)

INTERLOCK OPERATION

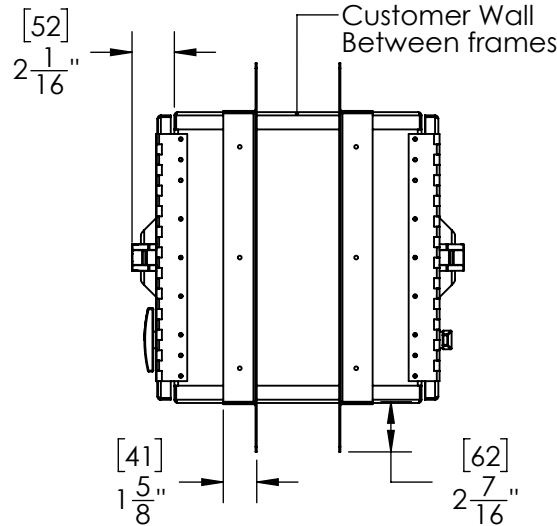
Turn The Interlock Handle ④ 90° To Unlock The Side,
Then Pull the Door Latch To ③ Open The Door.
(Only one side can be unlocked at a time)

Pass Thru Dimensions:

W = Inside Width
H = Inside Height
D = Inside Depth
A = W + 4 13/16 "
B = H + 2 1/8 "



FRONT VIEW



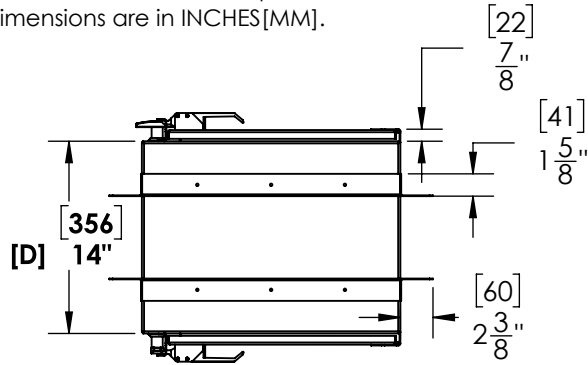
RIGHT VIEW

PROPRIETARY INFORMATION			
BENCH PRO TM			
TITLE: Pass Through 12"	MATERIAL: ss ea 1x		
23949 Tecate Mission Rd Tecate, CA 91980	FINISH:		
DIMENSIONS ARE IN INCHES	DRAWN: RAFAEL RUIZ	CHECKED:	SHEET
TOLERANCES DECIMALS		ENG APPR:	1 - 1
.XX ± 0.01			
.XXX ± 0.005			

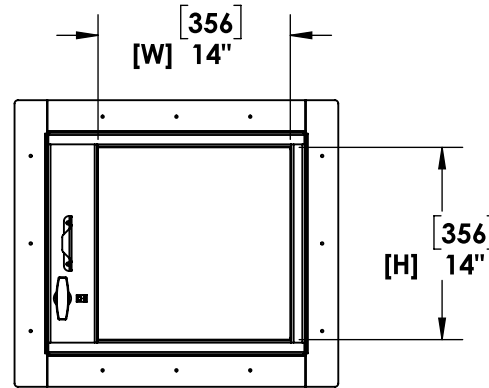
14" CABINET SPECIFICATIONS

NOTES: Unless otherwise specified
Dimensions are in INCHES [MM].

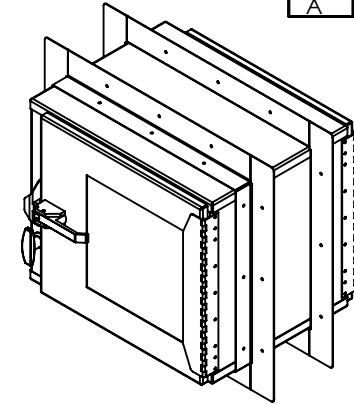
REV.	DATE
A	1/14/2021



TOP VIEW



FRONT VIEW
WITHOUT DOORS



ISOMETRIC VIEW

FEATURES:

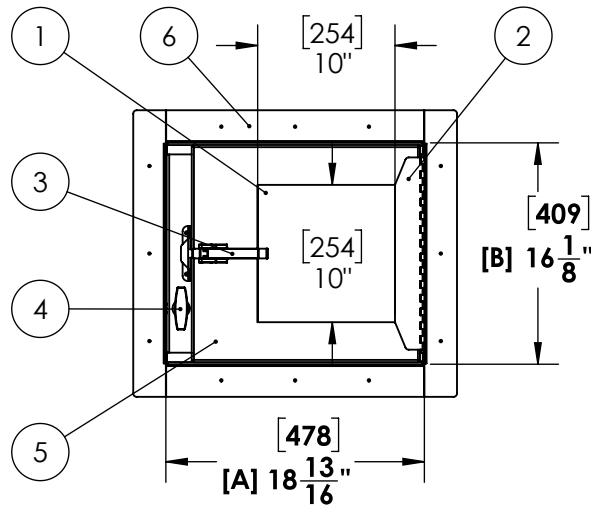
1. Clear Tempered Safety Glass
2. Stainless Steel Hinges
3. Stainless Steel Compression latch
4. Stainless Steel T-Handles Interlock
5. Stainless Steel Door Frame
6. Stainless Steel Mounting Frame Set (8 pcs.)

INTERLOCK OPERATION

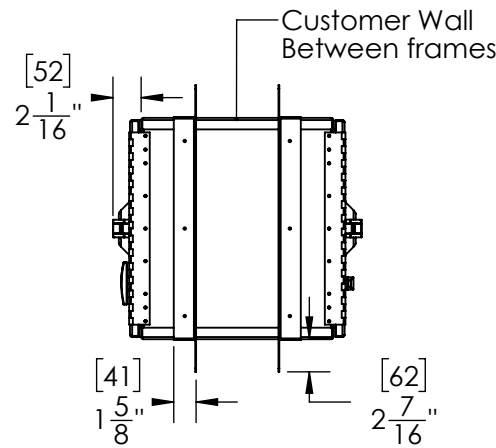
Turn The Interlock Handle ④ 90° To Unlock The Side,
Then Pull the Door Latch To ③ Open The Door.
(Only one side can be unlocked at a time)

Pass Thru Dimensions:

W = Inside Width
H = Inside Height
D = Inside Depth
A = W + 4 13/16 "
B = H + 2 1/8 "



FRONT VIEW

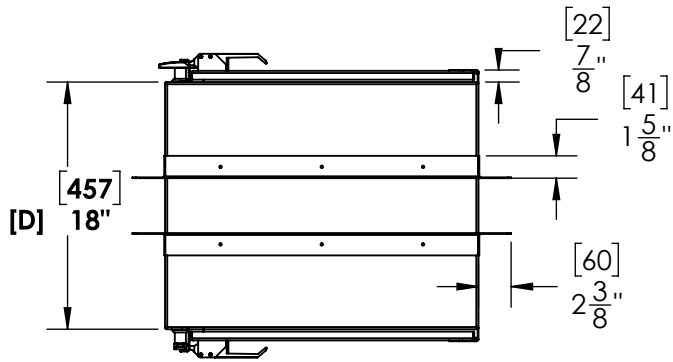


RIGHT VIEW

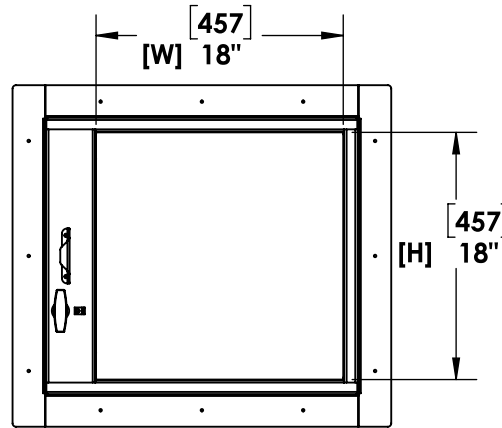
PROPRIETARY INFORMATION			
BENCH PRO TM			
TITLE: Pass Through 14"	MATERIAL: s.s.ca.14		
23949 Tecate Mission Rd Tecate, CA 91980	FINISH:		
DIMENSIONS ARE IN INCHES	DRAWN:	RAFAEL RUIZ	SHEET
TOLERANCES DECIMALS	CHECKED:		
.XX ± 0.01	ENG APPR:		1 - 1
.XXX ± 0.005			

18" CABINET SPECIFICATIONS

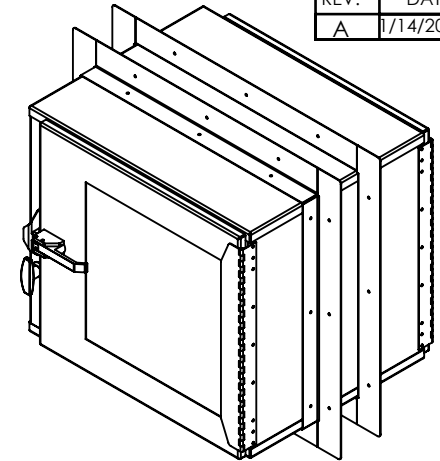
NOTES: Unless otherwise specified
Dimensions are in INCHES[MM].



TOP VIEW

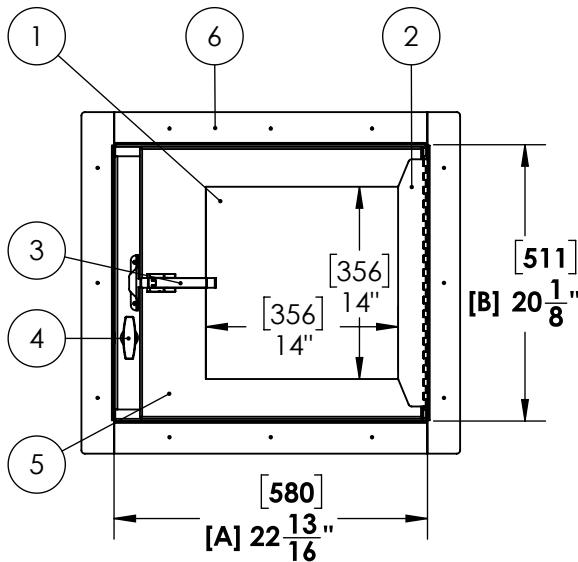


FRONT VIEW
WITHOUT DOORS

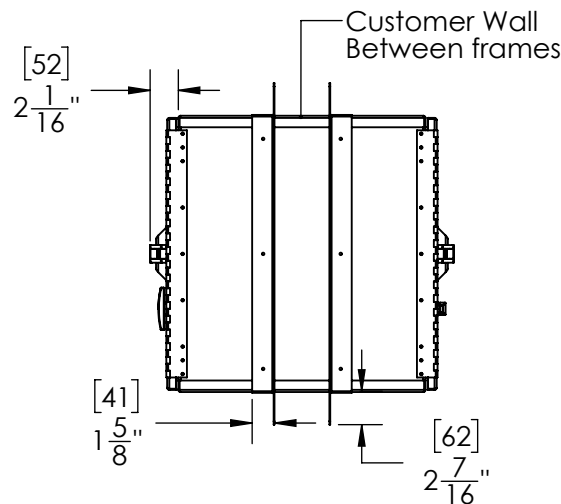


ISOMETRIC VIEW

REV.	DATE
A	1/14/2021



FRONT VIEW



RIGHT VIEW

FEATURES:

1. Clear Tempered Safety Glass
2. Stainless Steel Hinges
3. Stainless Steel Compression latch
4. Stainless Steel T-Handles Interlock
5. Stainless Steel Door Frame
6. Stainless Steel Mounting Frame Set (8 pcs.)

INTERLOCK OPERATION

Turn The Interlock Handle ④ 90° To Unlock The Side,
Then Pull the Door Latch To ③ Open The Door.
(Only one side can be unlocked at a time)

Pass Thru Dimensions:

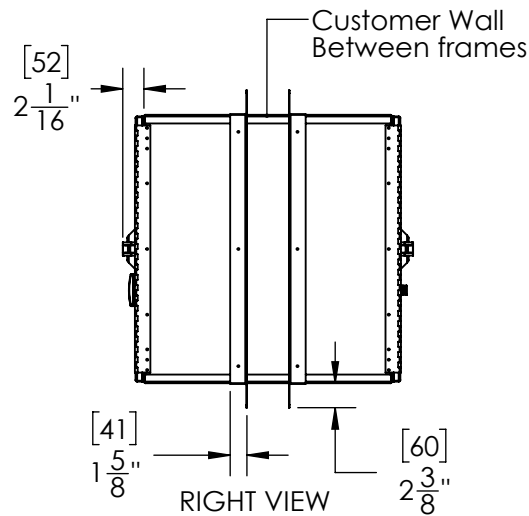
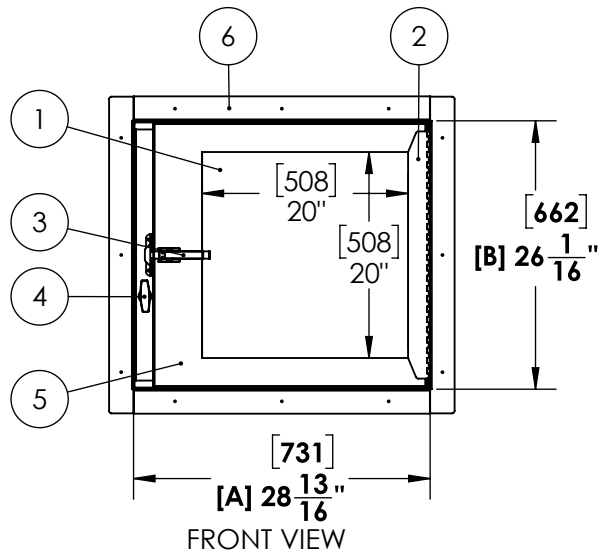
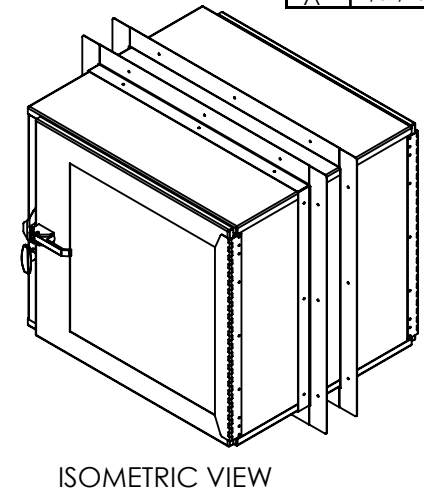
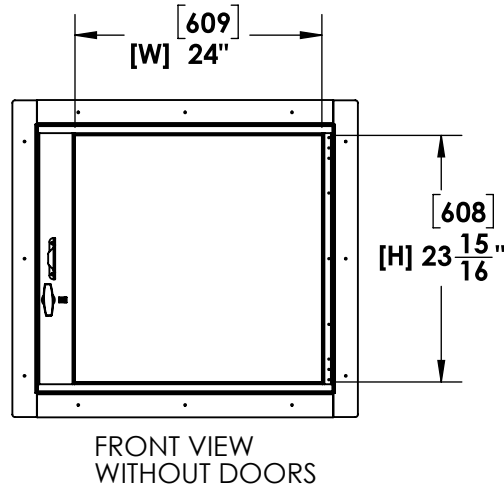
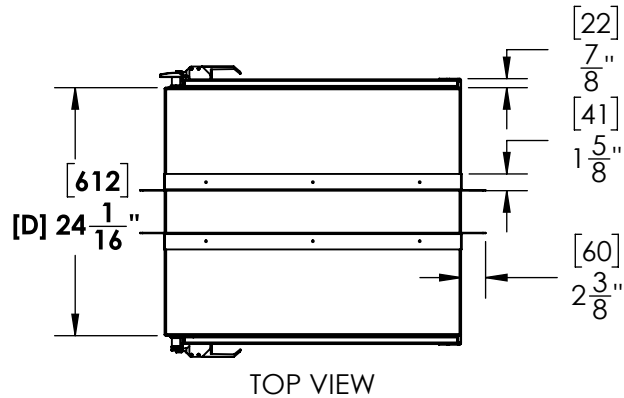
W = Inside Width
H = Inside Height
D = Inside Depth
A = W + 4 13/16 "
B = H + 2 1/8 "

PROPRIETARY INFORMATION			
BENCH PRO™			
TITLE: Pass Through 18"	MATERIAL: ss ea 1x		
23949 Tecate Mission Rd Tecate, CA 91980	FINISH:		
DIMENSIONS ARE IN INCHES	DRAWN: RAFAEL RUIZ	CHECKED:	SHEET
TOLERANCES DECIMALS	.XX ± 0.01	ENG APPR:	1 - 1
.XXX ± 0.005			

24" CABINET SPECIFICATIONS

NOTES: Unless otherwise specified
Dimensions are in INCHES[MM].

REV.	DATE
A	12/07/2020



FEATURES:

1. Clear Tempered Safety Glass
2. Stainless Steel Hinges
3. Stainless Steel Compression latch
4. Stainless Steel T-Handles Interlock
5. Stainless Steel Door Frame
6. Stainless Steel Mounting Frame Set (8 pcs.)

INTERLOCK OPERATION

Turn The Interlock Handle ④ 90° To Unlock The Side,
Then Pull the Door Latch To ③ Open The Door.
(Only one side can be unlocked at a time)

Pass Thru Dimensions:

W = Inside Width
H = Inside Height
D = Inside Depth
A = W + 4 13/16 "
B = H + 3 14/16 "

PROPRIETARY INFORMATION			
BENCH PROTM			
TITLE: Pass Through 24"	MATERIAL: 304 SS	FINISH:	
23949 Tecate Mission Rd Tecate, CA 91980	DRAWN: RAFAEL RUIZ	CHECKED:	SHEET
DIMENSIONS ARE IN INCHES TOLERANCES DECIMALS	XX ± 0.01	ENG APPR:	1 - 1
	XXX ± 0.005		